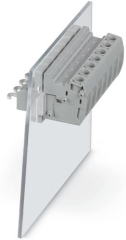


Panel feed-through terminal block - UW 4-POT-SL/S - 3059760

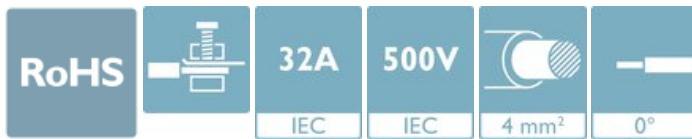
Please be informed that the data shown in this PDF Document is generated from our Online Catalog. Please find the complete data in the user's documentation. Our General Terms of Use for Downloads are valid (<http://phoenixcontact.com/download>)




Panel feed-through terminal block, connection method: Screw connection with tension sleeve, Solder connection, number of positions: 1, load current: 32 A, cross section: 0.2 mm² - 6 mm², connection direction of the conductor to plug-in direction: 0 °, width: 8.1 mm, color: gray

Your advantages

- ✓ Well-known connection principle allows worldwide use
- ✓ Low temperature rise, thanks to maximum contact force
- ✓ Tool-free snap-in principle enables easy mounting on the device panel
- ✓ Automatic panel thickness compensation enables universal use
- ✓ Reliable seal even with low-viscosity molding compounds



Key Commercial Data

| | |
|--------------------------------------|---|
| Packing unit | 1 pc |
| Minimum order quantity | 50 pc |
| GTIN |  4 046356 520768 |
| GTIN | 4046356520768 |
| Weight per Piece (excluding packing) | 8.400 g |
| Custom tariff number | 85369010 |
| Country of origin | China |

Technical data

Item properties

| | |
|---------------------------|-----------------------------------|
| Brief article description | Panel feed-through terminal block |
| Range of articles | UW 4-POT-SL |
| Pitch | 8.1 mm |
| Number of positions | 1 |

Panel feed-through terminal block - UW 4-POT-SL/S - 3059760

Technical data

Item properties

| | |
|-----------------------|---|
| Number of connections | 2 |
| Number of potentials | 1 |

Electrical parameters

| | |
|-----------------------------|---|
| Nominal current | 32 A |
| Nom. voltage | 500 V |
| Maximum load current | 41 A (with 6 mm ² conductor cross section) |
| Rated voltage (III/3) | 500 V |
| Rated surge voltage (III/3) | 6 kV |

Connection capacity, external

| | |
|---|--|
| Connection method | Screw connection with tension sleeve |
| Connection direction of the conductor to plug-in direction | 0 ° |
| Conductor cross section solid | 0.2 mm ² ... 6 mm ² |
| Conductor cross section flexible | 0.2 mm ² ... 4 mm ² |
| Conductor cross section flexible, with ferrule without plastic sleeve | 0.25 mm ² ... 4 mm ² |
| Conductor cross section, flexible, with ferrule, with plastic sleeve | 0.25 mm ² ... 4 mm ² |
| 2 conductors with same cross section, solid | 0.2 mm ² ... 1.5 mm ² |
| 2 conductors with same cross section, flexible | 0.2 mm ² ... 1.5 mm ² |
| 2 conductors with same cross section, flexible, with ferrule without plastic sleeve | 0.25 mm ² ... 1.5 mm ² |
| 2 conductors with the same cross section, flexible, with TWIN ferrule with plastic sleeve | 0.5 mm ² ... 2.5 mm ² |
| Internal cylindrical gage | A4 |
| Stripping length | 10 mm |
| Torque | 0.6 Nm ... 0.8 Nm |

Connection capacity, internal

| | |
|--|-------------------|
| Connection method | Solder connection |
| Connection direction of the conductor to plug-in direction | 0 ° |

Material data - contact

| | |
|-------------------------|---|
| Note | WEEE/RoHS-compliant, free of whiskers according to IEC 60068-2-82/ JEDEC JESD 201 |
| Contact material | Cu alloy |
| Surface characteristics | tin-plated |

Material data - housing

| | |
|---------------------------|-------------|
| Housing color | gray (7042) |
| Insulating material | PA |
| Insulating material group | I |

Panel feed-through terminal block - UW 4-POT-SL/S - 3059760

Technical data

Material data - housing

| | |
|---|--------|
| CTI according to IEC 60112 | 600 |
| Flammability rating according to UL 94 | V0 |
| Glow wire flammability index GWFI according to EN 60695-2-12 | 850 |
| Glow wire ignition temperature GWIT according to EN 60695-2-13 | 775 |
| Temperature for the ball pressure test according to EN 60695-10-2 | 125 °C |

Dimensions for the product

| | |
|--------------|--|
| Caption | Schematische Abbildung - weitere Details siehe Produktfamilienzeichnung im Download Center |
| Width [w] | 8.1 mm |
| Height [h] | 27 mm |
| Pitch | 8.1 mm |

Dimensions for mounting cutout

| | |
|-----------------|---------------|
| Plate thickness | 1 mm ... 4 mm |
|-----------------|---------------|

Packaging information

| | |
|----------------------------|------|
| Pieces per package | 50 |
| Denomination packing units | Pcs. |

Ambient conditions

| | |
|---|---|
| Ambient temperature (storage/transport) | -40 °C ... 70 °C |
| Ambient temperature (assembly) | -5 °C ... 100 °C |
| Ambient temperature (operation) | -40 °C ... 100 °C (Depending on the current carrying capacity/derating curve) |

Termination and connection method

| | |
|--|-----------------------|
| Test for conductor damage and slackening | IEC 60947-7-1:2009-04 |
| | Test passed |

Pull-out test

| | |
|--|--|
| Pull-out test | IEC 60947-7-1:2009-04 |
| Conductor cross section / conductor type / tensile force | 0.25 mm ² / solid / > 10 N |
| | 0.25 mm ² / flexible / > 10 N |
| | 6 mm ² / solid / > 80 N |
| | 4 mm ² / flexible / > 60 N |

Mechanical tests according to standard

| | |
|--------------------|---------------------------|
| Test specification | IEC 60947-7-1 (following) |
|--------------------|---------------------------|

Electrical tests

| | |
|-------------------------|-------------------|
| Rated current | 32 A |
| Conductor cross section | 4 mm ² |

Panel feed-through terminal block - UW 4-POT-SL/S - 3059760

Technical data

Air clearances and creepage distances

| | |
|---|--|
| Clearances and creepage distances | without spacer plate IEC 60947-7-1:2009-04 |
| Application | without spacer plate |
| Specification | IEC 60947-7-1:2009-04 |
| Minimum clearance - inhomogeneous field (III/3) | 5.5 mm |
| Minimum creepage distance value (III/3) | 6.3 mm |

Temperature-rise test

| | |
|-----------------------------------|-------------------------------------|
| Specification | IEC 60947-7-1:2009-04 |
| Requirement temperature-rise test | Increase in temperature ≤ 45 K |

Standards and Regulations

| | |
|--|---|
| Connection in acc. with standard | UL |
| | IEC 60947-7-1 |
| Flammability rating according to UL 94 | V0 |
| Safety note | <ul style="list-style-type: none"> • Only electrically qualified personnel may install and operate the product. To recognize and prevent danger, the qualified personnel must be familiar with the basics of electrical engineering. • Observe the technical data provided here and refer to the documents listed under "Downloads". The download area contains important information, such as installation notes, technical drawings, and 3D data. • To maintain the nominal voltage, cast the terminals on the inside. |

Glow-wire test

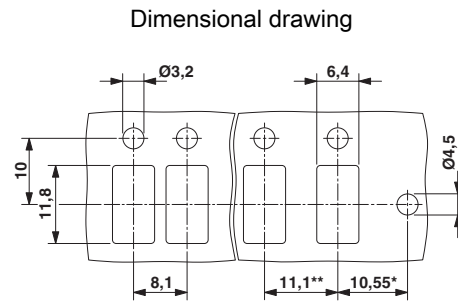
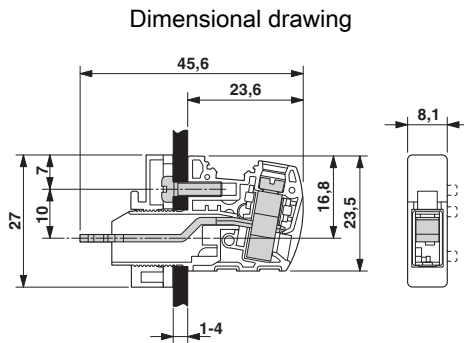
| | |
|------------------|------------------------|
| Specification | IEC 60695-2-11:2000-10 |
| Temperature | 960 °C |
| Time of exposure | 30 s |

Environmental Product Compliance

| | |
|------------|---|
| China RoHS | Environmentally Friendly Use Period = 50 years |
| | For details about hazardous substances go to tab "Downloads", Category "Manufacturer's declaration" |

Drawings

Panel feed-through terminal block - UW 4-POT-SL/S - 3059760



* Only when using the UW...-F flange plate

** Dimensions when using the DP-UW... spacer plate

Classifications

eCl@ss

| | |
|---------------|----------|
| eCl@ss 10.0.1 | 27141134 |
| eCl@ss 11.0 | 27141134 |
| eCl@ss 4.0 | 27141100 |
| eCl@ss 4.1 | 27141100 |
| eCl@ss 5.0 | 27141100 |
| eCl@ss 5.1 | 27141100 |
| eCl@ss 6.0 | 27141100 |
| eCl@ss 7.0 | 27141134 |
| eCl@ss 9.0 | 27141134 |

ETIM

| | |
|----------|----------|
| ETIM 4.0 | EC001283 |
| ETIM 6.0 | EC001283 |
| ETIM 7.0 | EC001283 |

UNSPSC

| | |
|---------------|----------|
| UNSPSC 6.01 | 30211811 |
| UNSPSC 7.0901 | 39121410 |
| UNSPSC 11 | 39121410 |
| UNSPSC 12.01 | 39121410 |
| UNSPSC 13.2 | 39121410 |
| UNSPSC 18.0 | 39121410 |
| UNSPSC 19.0 | 39121410 |
| UNSPSC 20.0 | 39121410 |
| UNSPSC 21.0 | 39121410 |

Panel feed-through terminal block - UW 4-POT-SL/S - 3059760

Approvals


Approvals


Approvals


EAC / cULus Recognized / CSA

Ex Approvals

Approval details

| | | |
|-----|---|---------|
| EAC |  | B.01687 |
|-----|---|---------|

| | | | |
|----------------------------|--|---|-----------------|
| cULus Recognized |  | http://database.ul.com/cgi-bin/XYV/template/LISEXT/1FRAME/index.htm | E60425-20100423 |
| | B | C | D |
| Nominal voltage UN | 300 V | 300 V | 600 V |
| Nominal current IN | 30 A | 30 A | 5 A |
| mm ² /AWG/kcmil | 24-10 | 24-10 | 24-10 |

| | | | |
|----------------------------|---|---|----------------|
| CSA |  | http://www.csagroup.org/services-industries/product-listing/ | 2618381-158887 |
| | B | C | D |
| Nominal voltage UN | 300 V | 300 V | 600 V |
| Nominal current IN | 30 A | 30 A | 30 A |
| mm ² /AWG/kcmil | 24-10 | 24-10 | 24-10 |

Accessories

Accessories

Flange

Panel feed-through terminal block - UW 4-POT-SL/S - 3059760

Accessories

Flange cover - UW 4-F - 3074512



Flange, number of positions: 0, color: gray

Insertion bridge

Insertion bridge - EB 2- 8 - 0202154



Insertion bridge, pitch: 8 mm, number of positions: 2, color: gray

Insertion bridge - EB 3- 8 - 0202141



Insertion bridge, pitch: 8 mm, number of positions: 3, color: gray

Insertion bridge - EB 4- 8 - 0202142



Insertion bridge, pitch: 8 mm, number of positions: 4, color: gray

Insertion bridge - EB 10- 8 - 0202138



Insertion bridge, pitch: 8 mm, number of positions: 10, color: gray

Panel feed-through terminal block - UW 4-POT-SL/S - 3059760

Accessories

Insertion bridge - EB 1/3/5/7-8 - 3072340



Insertion bridge, pitch: 16.4 mm, length: 24 mm, width: 55.4 mm, number of positions: 4, pin assignment: 1, 3, 5, 7, color: gray

Insertion bridge - EB 1/3/5-8 - 3072341



Insertion bridge, pitch: 16.4 mm, length: 24 mm, width: 39 mm, number of positions: 3, pin assignment: 1,3,5, color: gray

Labeled terminal marker

Zack marker strip - ZB 8 CUS - 0825011



Zack marker strip, can be ordered: Strip, white, labeled according to customer specifications, mounting type: snap into tall marker groove, for terminal block width: 8.2 mm, lettering field size: 10.5 x 8.15 mm, Number of individual labels: 10

Zack Marker strip, flat - ZBF 8 CUS - 0825030



Zack Marker strip, flat, can be ordered: Strip, white, labeled according to customer specifications, mounting type: snap into flat marker groove, for terminal block width: 8 mm, lettering field size: 5.15 x 8.15 mm, Number of individual labels: 10

Partition plate

Spacer plate - DP-UW 4 - 3074499



Spacer plate, number of positions: 0, pitch: 0 mm, color: gray

Panel feed-through terminal block - UW 4-POT-SL/S - 3059760

Accessories

Screwdriver tools

Screwdriver - SZF 1-0,6X3,5 - 1204517



Actuation tool, for ST terminal blocks, also suitable for use as a bladed screwdriver, size: 0.6 x 3.5 x 100 mm, 2-component grip, with non-slip grip

Terminal marking

Marker for terminal blocks - TMT (EX9,5)R - 0828295



Marker for terminal blocks, Roll, white, unlabeled, can be labeled with: THERMOMARK ROLL 2.0, THERMOMARK ROLL, THERMOMARK ROLL X1, THERMOMARK ROLLMASTER 300/600, THERMOMARK X1.2, mounting type: snap into universal marker groove, snap into tall marker groove, for terminal block width: 50000 mm, lettering field size: 9.5 x 50000 mm, Number of individual labels: 1

Zack marker strip - ZB 8:UNBEDRUCKT - 1052002



Zack marker strip, Strip, white, unlabeled, can be labeled with: CMS-P1-PLOTTER, PLOTMARK, mounting type: snap into tall marker groove, for terminal block width: 8.2 mm, lettering field size: 10.5 x 8.15 mm, Number of individual labels: 10

Zack Marker strip, flat - ZBF 8:UNBEDRUCKT - 0808781



Zack Marker strip, flat, Strip, white, unlabeled, can be labeled with: PLOTMARK, CMS-P1-PLOTTER, mounting type: snap into flat marker groove, for terminal block width: 8 mm, lettering field size: 5.15 x 8.15 mm, Number of individual labels: 10
